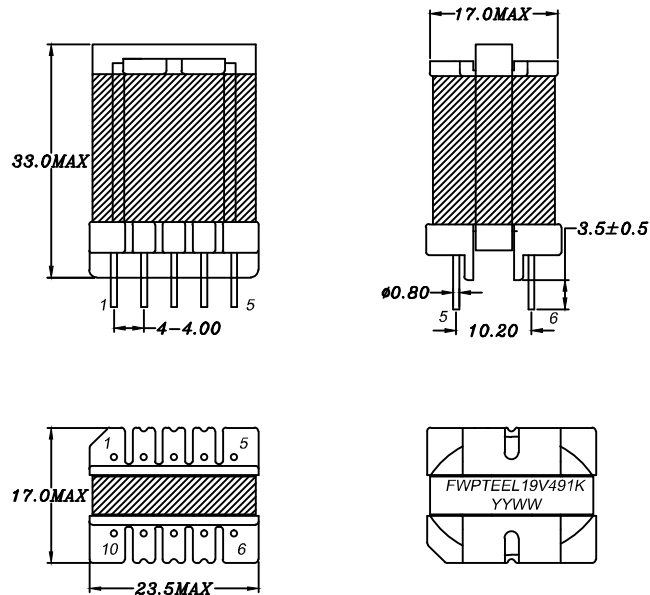


CUSTOMER TERMINAL	ROHS	Lead (Pb) -free
	YES	YES

1. Mechanical Dimensions

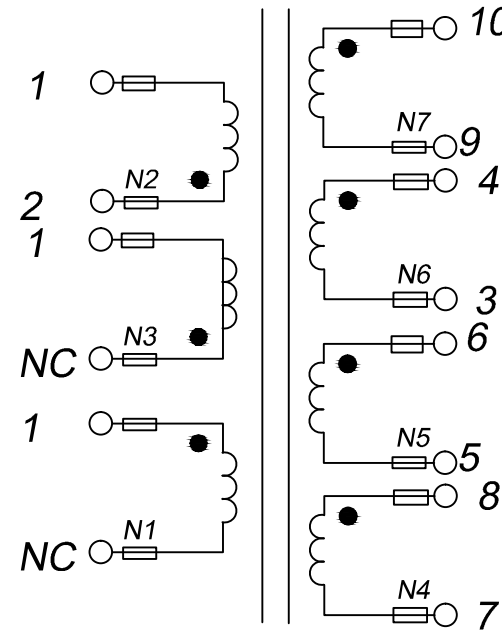


Use copper foil 0.05t*13.5mm along the direction of winding and connect pin 1 with 2UEW-0.36mm. Add 3 layers of tape for insulation

3. Material List

Core: FW95-EE19
 Bobbin: FWB1911
 Wire: 2UEW
 Copper foil: 0.05t*13.5mm
 Operating Temperature: -30 to 115°C

2. Schematic Diagram



4. Electrical Specification

Inductance: L (1-2) = 489uH ± 10% 1KHZ 1V
 LK (1-2) = 14.66uH MAX 10KHZ 1V
 HI-POT: Pins 1,2-Pins 3,4,5,6,7,8,9,10
 AC 3000V 2mA 1SECONDS

REV.	DATE	 Convention Placement	DRW.	Drawing Title: TRANSFORMER Customer P/N:	Part No:
0	00/00		CHK.		FWPTTEL19V491K
RoHS		www.ferriwo.com	APP.		Specification Sheet 1 of 1